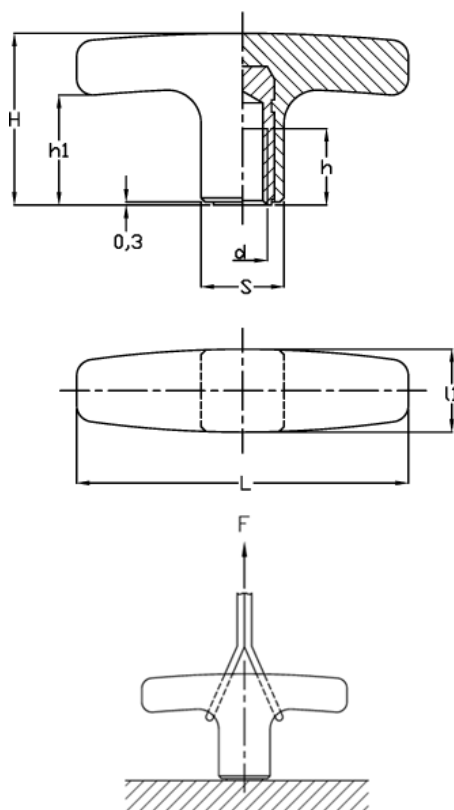


Data Sheet



Article number: 2304032459
Description: Handle 32459
L.652/80 B-M10, Orange

Measures



d 6H = M10
F (N) = 7000
h = 25
H = 41
h1 = 26.0
L = 80
l1 = 20
S = 20x20